



Move your world

FORTUNER **GR** **TOYOTA GAZOO Racing**

INDUS MOTOR COMPANY LIMITED

[ToyotaPakistanOfficial](#) [@ToyotaPak](#) [ToyotaPakistan](#) [www.toyota-indus.com](#)

Contact Information

Indus Motor Company Limited
Plot No. N.W.Z./1/P-1, Port Qasim Authority,
Karachi, Pakistan. Phone: +92-21-34721100.
UAN: +92-21-111-86-96-82 (+92-21-111-TOYOTA)

Customer Assistance Centre

Toll Free: 0800-11123. Phone: +92-21-34721100.
Email: customer.relations@toyota-indus.com

For more information
SMS "FORTUNER" to



Scan and Access
Toyota Bot



BUILT TO BE
UNBEATABLE

Built to be unbeatable, stunning form meets spectacular functions in this adrenaline-fuelled ride. Turn heads and wow everyone as you take on the road ahead with the Fortuner GR-S.



BUILT TO **EXPLORE**

Get ready to conquer the roads or the hills or wherever else your journey takes you. The adventurer inside you will be glad you chose a worthy companion.

■ Cruise Control



■ 9" Infotainment System



■ Dual Zone Climate Control





BUILT TO BE
DIFFERENT

Experience the thrilling feel of an unstoppable adventure. The new Fortuner GR-S is carefully crafted to ensure every journey feels like a thrilling adventure.

■ Red GR Brake Callipers



■ GR Smart Entry



BUILT TO
TURN HEADS

Set out like never before. The new Fortuner GR-S is built to accompany you on any journey. Through the hillside, through the dirt, and whatever else comes your way. Create your own adventure, without limitations.

Sensual surfaces, stunning contours, and breath-taking beauty, the new Fortuner GR-S is built to be the centre of attention. The bold exterior helps you stand out from the crowd, while making sure you can comfortably keep up with them.

■ 18" All Black Alloy Rims



■ GR Emblem on Front & Rear Bumpers





BUILT TO **STAND OUT**

The side profile is enhanced with new colours adorning the side mirrors, while the tyre and disc wheel is embellished with a black tinted clear coating to provide a unique and unforgettable look. Further, the front and rear brake callipers contain a GR brand mark with its custom red paint to ensure you keep heads turning as you drive by.

The vibrant red of the GR emblem emblazons the steering wheel accompanied by an all new bezel. The steering is further enhanced with fine leather and stunning red stitching.

■ Leather Steering and GR Emblem



■ Projector Head Lamps
Waterfall DRLs with LED Fog Lamps



BUILT TO BE
UNSTOPPABLE

The Fortuner GR-S is unmatched in its power. Easily navigate the toughest terrains with complete ease in this marvel of modern engineering. Coupled with the latest technology to provide an experience like no other, the GR-S is a beast unleashed.

■ Advance Monotube Shock Absorbers



BUILT TO **PERFORM**

Powered by the New Generation 2.8-Litre Diesel engine (IGD-FTV), the Fortuner GR-S has had its Variable Nozzle Turbocharger and Intercooler refined for higher power and torque output while providing better fuel economy. The refinement has resulted in a +20KW power output and +50Nm torque improvement from the previous generation engine.

POWER PACKED BUT COMFORTABLE.

The all-new Balance Shaft in the 1GD engine means that despite the increase in power you will experience fewer vibrations and reduced harshness during acceleration or while the car is stationary.

■ Paddle Shifter



■ New Generation 2.8-Litre Diesel Engine (IGD-FTV)



■ Six Speed Sequential Gear



BEAUTY MEETS THE **BEAST**

True beauty lies within. Plush new interiors combine form with function, the new sport seat made with suede and a combination of leathers lets you relax in comfort as you enjoy the stunning views around you. A shade of smoke silver metallic covers everything in sight, providing a truly unique mix of sport and unabashed utility.

■ Push Start with GR Emblem



■ GR Design Premium Optitron Meter



■ Stunning Red Stitching



■ 8-Way Power-Adjustable Front Row Seats

HEIGHT ADJUSTMENT

RECLINER

LENGTH ADJUSTMENT

■ GR Emblem Embroidery



BUILT TO CREATE ITS OWN PATH

The Fortuner GR-S has been created with adventure in mind. Perfect for both on- and off- road driving, built on a body-on-frame platform with proper 4x4 functionality, it provides a perfect mix of power with sophisticated agility. Its various off-road features enhance the driving experience, and provide unmatched control over every type of terrain.

**Superior angle of approach (29 degrees) and departure (24 degrees)
Superior minimum running ground clearance (279mm*)**

Class leading 4x4 driving features:

- Limited Slip Differential (LSD)
- Hill-Start Assist Control (HAC)

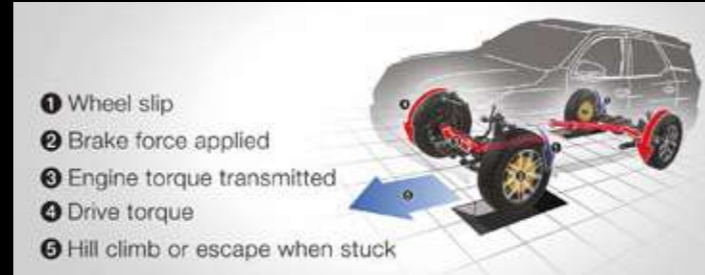


A limited slip differential (LSD) keeps the power going to a drive wheel that has traction, this ensures that you can traverse mud and other soft surfaces with ease. It also provides better control during extreme corners.



The Hill-assist control (HAC) feature automatically retains the pressure in the braking system, ensuring that you don't roll back unwillingly. It provides greater control and protection when dealing with sharp inclines.

- Active Traction Control (A-TRC)



When off-roading or driving in slippery conditions, the Active Traction Control (A-TRC) provides assistance when wheel slippage is detected, helping you accelerate safely and efficiently in slippery conditions.

- Advanced Suspension



Through the double wishbone in the front suspension and four-link suspension at the rear, the advanced suspension allows drivers complete handling prowess and a greater riding experience.

- Part-Time 4WD Selector

Part-time 4WD allows the driver to turn on 4WD only when needed. On regular driving surfaces without the 4WD engaged, it works like a rear-driven 2WD vehicle, allowing for greater fuel efficiency. However, it can easily be switched to 4WD or 4WD low when sensing a slip in the wheels in the rain, sand, or mud.

- Downhill Assist Control (DAC)

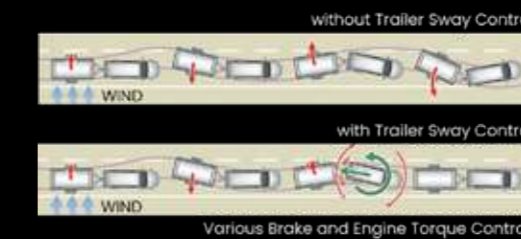
Downhill Assist Control (DAC) brakes individual wheels to maintain control and provides a safe rate of descent without any driver intervention required. It prevents the wheels from locking by managing engine braking and brake pressure, ensuring a stall-free vehicle.

- Rear Differential Lock



The Rear Differential Lock system, once engaged, ensures both the wheels spin at the same rate, and provides unequal torque to each tyre on the axle to reduce the risk of losing traction or spinning out. This is particularly helpful in muddy terrain to provide stronger grip and control.

- Trailer Sway Control (TSC)



Trailer Sway Control (TSC) ensures that you and your trailer remain safe by minimising lateral movement from road surface changes and cross winds. Tow away with complete peace of mind.

* H2 MODE ONLY

** H4 OR L4 MODE ONLY

PLEASE REFER TO THE OWNER'S MANUAL FOR PROPER USAGE OF ELECTRONIC TRANSFER SWITCH OPERATION (4WD).

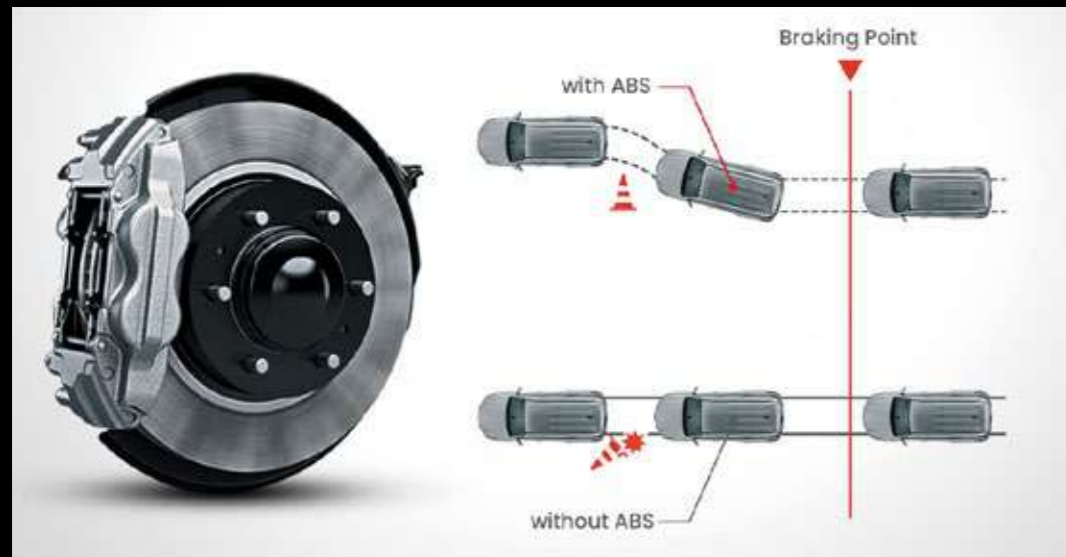


BUILT TO **PROTECT**

Active Safety

Every Fortuner GR-S is outfitted with cutting-edge advanced security features that include smart entry wireless door locking, speed sensing door-locks, an independently-powered alarm, and an immobiliser to ensure your car remains yours.

■ ABS with BA & EBD

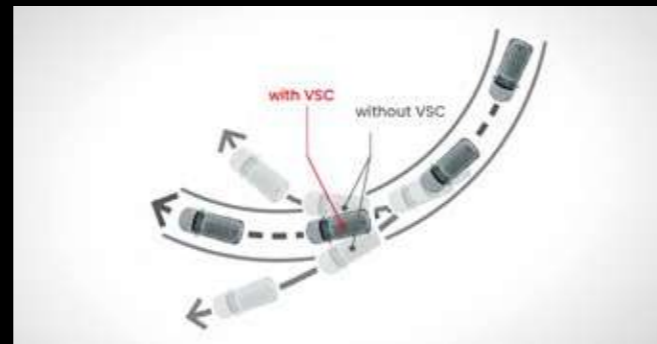


The Anti-lock braking system (ABS) allows for continued tyre rotation under extreme braking conditions.

Brake Assist (BA) applies additional braking force to reduce the braking distance.

Electronic Brake-force Distribution (EBD) helps shift weight under hard braking, reducing pressure on the wheels that carry the least amounts of weight – this helps ensure you and your vehicle always stay in control.

■ Vehicle Stability Control (VSC)



The Vehicle Stability Control keeps the vehicle pointing up on slippery surfaces by braking each individual tyre, where necessary.

■ Drive Start Control (DSC)



The Drive Start Control prevents acceleration when the vehicle is switched to the wrong gear, helping avoid collisions.



■ Impact Absorbing Structures

The tough and rugged frame suppresses deformation of the side rails and cross members, while the body shell helps disperse impact energy in the event of a collision.



■ Collapsible Steering Column

The collapsible safety steering column consists of several different components which help absorb impact energy in the event of a collision and prevent it from entering the interior of the vehicle or harming the occupants inside.



■ Whiplash Injury Lessening (WIL) Front Seats

Whiplash Injury Lessening (WIL) seats reduce the risk of whiplash neck injuries in lower speed rear-end collisions. It achieves this by providing support to the passenger's head and chest simultaneously.



■ Pedestrian Protection Structure

The Pedestrian Protection Structure provides an Impact absorbing structure at the front section, helping to reduce impact energy directed at a pedestrian.

■ **SRS Airbags**
 SRS front driver and passenger airbags
 SRS driver knee airbag

Front passenger airbag should only be deactivated when using a child restraint system on the front passenger seat.

■ **Rear ISOFIX Child Seat Fixture**

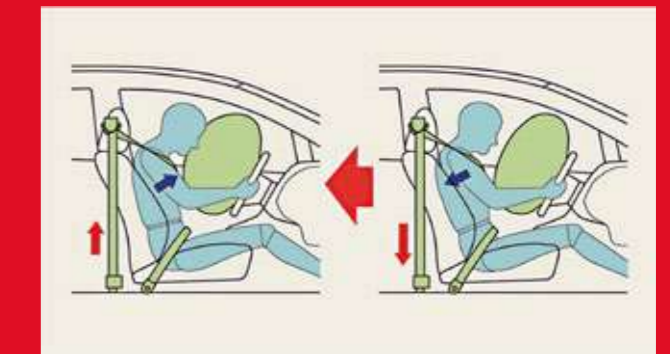


■ **Security Equipment**



Immobiliser system with security alarm

■ **Seatbelts**



3-Point ELR Front Seatbelts with pretensioner and force limiter
 3-Point ELR rear seatbelts
 Front seatbelt reminder



■ 040 SUPER WHITE

As pale as the winter snow and just as stunning. Stand out from the crowd in a bright SUPER WHITE.



■ 218 ATTITUDE BLACK

True beauty awaits you. ATTITUDE BLACK helps your GR-S awe and wow spectators as you drive by. Simply stunning and perfect for every landscape.

BUILT TO BE **UNBEATABLE**



SPECIFICATION SHEET

VEHICLE	Fortuner GR-S (4X4 1GD Hi Diesel) [NEW]	FORTUNER LEGENDER (4X4 1GD Hi Diesel)	FORTUNER SIGMA 4 (4X4 1GD Hi Diesel)	FORTUNER V (4X4 2TR Hi Petrol)	FORTUNER G (4X4 2TR Hi Petrol)
MODEL CODE	GUN156R-SPTHXP	GUN156R-SPTHXP	GUN156R-SPTHXP	TGN156R-SPTHXP	TGN166R-SPTSKP
DIMENSIONS					
Exterior	L x W x H (mm)	4795 x 1855 x 1835	4795 x 1855 x 1835	4795 x 1855 x 1835	4795 x 1855 x 1835
Wheelbase	(mm)	2745	2745	2745	2745
Tread	Front (mm) / Rear (mm)	1545 / 1555	1545 / 1555	1545 / 1555	1545 / 1555
Overhang	Front (mm) / Rear (mm)	990 / 1060	990 / 1060	990 / 1060	990 / 1060
Min. Running Ground Clearance	(mm)	279	279	279	279
Min. Turning Radius	Body (m)	6.2	6.2	6.2	6.2
Interior	L x W x H (mm)	2478 x 1478 x 1105	2478 x 1478 x 1105	2478 x 1478 x 1105	2478 x 1478 x 1105
Seating Capacity (persons)		7	7	7	7
Gross Vehicle Weight	Total (kg)	2730	2730	2620	2510
Curb Weight	Min. Options (kg)	2100	2100	1985	1850
Fuel Tank Capacity	Total (L)	80	80	80	80
ENGINE SPECIFICATION					
Engine Code	1GD - FTV Hi with Balance Shaft	1GD - FTV Hi with Balance Shaft	1GD - FTV Hi with Balance Shaft	2TR-FE	2TR-FE
Variable Nozzle Turbocharger	0	0	0	X	X
Intercooler	0	0	0	X	X
Displacement (cm ³)	2,755	2,755	2,755	2,694	2,694
Number of Cylinders and Arrangement	4 Cylinders, In Line	4 Cylinders, In Line	4 Cylinders, In Line	4 Cylinders, In Line	4 Cylinders, In Line
Fuel System	Fuel Injection - Diesel	Fuel Injection - Diesel	Fuel Injection - Diesel	Fuel Injection - Petrol	Fuel Injection - Petrol
Maximum Output (kW @ rpm)	150 @ (3,000 - 3,400)	150 @ (3,000 - 3,400)	150 @ (3,000 - 3,400)	122 @ 5200	122 @ 5200
Maximum Torque (Nm @ rpm)	500 @ (1,600 - 2,800)	500 @ (1,600 - 2,800)	500 @ (1,600 - 2,800)	245 @ 4000	245 @ 4000
PERFORMANCE					
Transmission	Code	AC60F	AC60F	AC60F	AC60E
Type	Type	6-Speed Sequential with Paddle Shifters	6-Speed Sequential with Paddle Shifters	6-Speed Sequential with Paddle Shifters	6-Speed Sequential with Paddle Shifters
Transfer	System	Part-Time H2, H4, L4	Part-Time H2, H4, L4	Part-Time H2, H4, L4	X
Type	Type	Switch Type	Switch Type	Switch Type	X
Rear Differential Lock	Type	Yes, Automatic Disconnect Differential	Yes, Automatic Disconnect Differential	Yes, Automatic Disconnect Differential	X
Drive Modes		Eco + Normal + Sport	Eco + Normal + Sport	Eco + Power	Eco + Power
Brakes* Type	Front + Rear	Ventilated Disc Brakes with GR Red Callipers (New)	Ventilated Disc Brakes	Ventilated Disc Brakes	Ventilated Disc Brakes
Brake Control Valve		ABS + EBD + BA	ABS + EBD + BA	ABS + EBD + BA	ABS + EBD + BA
Type & Wheel	Type	265/60R18 Black Tinted Alloy with Machine Cut Finish (New)	265/60R18 Alloy with Machine Cut Finish	265/60R18 Alloy	265/65R17 Alloy
Suspension Type	Front / Rear	Double Wishbone / Four Link with Monotube Shock Absorbers (New)	Double Wishbone / Four Link	Double Wishbone / Four Link	Double Wishbone / Four Link
Stabiliser Bar		0	0	0	0
Cruise Control		0	0	0	0
EXTERIOR					
Power Back Door		0	0	0	X
Headlamps	Bulb	Quad-LED with Dual Projector Headlamps	Quad-LED with Dual Projector Headlamps	Bi-Beam LED PES	Bi-Beam LED PES
Levelling	Automatic	Automatic	Automatic	Automatic	Automatic
System	System	Smart (Auto Operate & Follow-Me)	Smart (Auto Operate & Follow-Me)	Smart (Auto Operate & Follow-Me)	Smart (Auto Operate & Follow-Me)
Daytime Running Lamps		Waterfall DRLs	Waterfall DRLs	Hi - LED (Line-Guide)	Standard LED (4 x LED)
Turn Signal Lamps & Position Lamps		Sequential LED Turn Signal & LED Type	Sequential LED Turn Signal & LED Type	LED Type	Bulb Type
Tail Lamps		LED Plus Type + Sequential Turn Signals	LED Plus Type + Sequential Turn Signals	LED Plus Type	Standard LED Type
High Mount Stop Lamp		LED Type	LED Type	LED Type	LED Type
Front Bumper		Bumper w/Piano Black Accents and Piano Black Integrated Skid Plate (New)	Bumper with Piano Black Accents and Silver Integrated Skid Plate	Standard with Silver Painted Integrated Skid Plate	Standard with Material Integrated Skid Plate
Rear Bumper		Bumper with Aerodynamic Corner Mouldings	Bumper with Aerodynamic Corner Mouldings	Standard	Standard
Front Grille		Black Painted Mesh-type with Piano Black Accents	Black Painted Mesh-type with Piano Black Accents	Black Paint with Chrome Outer Grille & Lamps' Garnish	Black Paint with Chrome Outer Grille & Lamps' Garnish
Front Foglamps		LED with Bi-Tone Cover (New)	LED	LED	LED
Side-Turn Signals		On Outer Mirrors	On Outer Mirrors	On Outer Mirrors	On Outer Mirrors
Outer Rear View Mirrors		Electric + Power Retractable + Welcome Lamps	Electric + Power Retractable + Welcome Lamps	Electric + Power Retractable + Welcome Lamps	Electric + Power Retractable
Door Handles		Body Colour (New)	Chrome	Chrome	Chrome
Doorbelts' Mouldings		Silver	Silver	Silver	Black
Back Door Garnish		Body Colour (New)	Black-out	Chrome	Chrome
Side-Steps	Cover	Black	Black	Silver	Black
Mud Guards		Front + Rear	Front + Rear	Front + Rear	Front + Rear
Air Spats		Front + Rear	Front + Rear	Front + Rear	Front + Rear
INTERIOR					
Cabin Scheme		Black with GR- S Red Stitching (New)	Dual-Tone Maroon & Black / Black	Chamois / Black	Black / Black
Ambient Illumination		x	Centre Cluster + Door Trim + Front Footwell	x	x
Seats' Material		Suede + Leather (New)	Dual-Tone Perforated Leather (Maroon and Black)	Leather	Premium fabric

VEHICLE	Fortuner GR-S (4X4 1GD Hi Diesel) [NEW]	FORTUNER LEGENDER (4X4 1GD Hi Diesel)	FORTUNER SIGMA 4 (4X4 1GD Hi Diesel)	FORTUNER V (4X4 2TR Hi Petrol)	FORTUNER G (4X4 2TR Hi Petrol)
MODEL CODE	GUN156R-SPTHXP	GUN156R-SPTHXP	GUN156R-SPTHXP	TGN156R-SPTHXP	TGN166R-SPTSKP
EXTERIOR					
Door Trim		Leather with Red Stitching / Smoke Silver (New)	Leather with Red Stitching / Smoke Silver (New)	Dual-tone Leather / Silver with Illumination	Leather / Silver
Instrument Panel		Smoke Silver Metallic + Accent Colour Stitching + Satin Finish / Black (New)	Smoke Silver Metallic + Accent Colour Stitching + Satin Finish / Black (New)	High Brightness Metallic + Accent Colour Stitching + Satin Finish / Black with Illumination	High Brightness Metallic + Satin Silver Finish / Black
Power Door Lock		With Speed Auto Lock	With Speed Auto Lock	With Speed Auto Lock	With Speed Auto Lock
Push Start		0 (with GR Emblem) (New)	0	0	0
Smart Entry		Satin Chrome Smart Key with Panic and Ornamentation (New)	Satin Chrome Smart Key with Panic	Smart Key with Panic	Smart Key with Panic
Door Handles		Body Colour (New)	Chrome	Chrome	Chrome
Window Wipers	Front	Time Adjust Intermittent + Mist	Time Adjust Intermittent + Mist	Time Adjust Intermittent + Mist	Time Adjust Intermittent + Mist
	Rear	Intermittent	Intermittent	Intermittent	Intermittent
Illuminated Entry System		0	0	0	0
Coat Hook		0	0	0	0
Shopping Hooks		0	0	0	0
Inside Rear View Mirror		Electrochromic Mirror	Electrochromic Mirror	Electrochromic Mirror	Electrochromic Mirror
Sun Visors		D + P + Mirror w/ Lid and Vanity Lamp	D + P + Mirror w/ Lid and Vanity Lamp	D + P + Mirror w/ Lid and Vanity Lamp	D + P + Mirror w/ Lid and Vanity Lamp
Heater		0	0	0	0
Climate Control	Front / Rear	Dual Zone Auto A/C / Auto A/C	Dual Zone Auto A/C / Auto A/C	Dual Zone Auto A/C / Auto A/C	Dual Zone Auto A/C / Auto A/C
Side Defroster		0	0	0	0
Cool and Hot Box		0	0	0	0
Head Rests	Front Seats	Separate, D + P (with GR Badging) (New)	Separate, D + P	Separate, D + P	Separate, D + P
	Second Row Seats	Separate, 3	Separate, 3	Separate, 3	Separate, 3
	Third Row Seats	Separate, 2	Separate, 2	Separate, 2	Separate, 2
Rear Armrest		0 (with Cup Holders x 2)	0 (with Cup Holders x 2)	0 (with Cup Holders x 2)	0 (with Cup Holders x 2)
Front Seats	Type	Separate / Premium	Separate / Premium	Separate / Premium	Separate / Premium
	Adjustment System	Powered (Driver-side + Passenger-side)	Powered (Driver-side + Passenger-side)	Powered (Driver-side + Passenger-side)	Powered (Driver-side + Passenger-side)
	Slide Adjustment	Driver + Passenger	Driver + Passenger	Driver + Passenger	Driver + Passenger
	Recline Adjustment	Driver + Passenger	Driver + Passenger	Driver + Passenger	Driver + Passenger
	Height Adjustment	Driver + Passenger	Driver + Passenger	Driver + Passenger	Driver-Side
Second Row Seats		With Armrest 60:40 Split, Slide and One-Touch Tumble	With Armrest 60:40 Split, Slide and One-Touch Tumble	With Armrest 60:40 Split, Slide and One-Touch Tumble	With Armrest 60:40 Split, Slide and One-Touch Tumble
Third Row Seats		50:50 Space-Up with Recline Adjustment	50:50 Space-Up with Recline Adjustment	50:50 Space-Up with Recline Adjustment	50:50 Space-Up with Recline Adjustment
Accessory Connectors	12 V DC	Two Connectors & Rear USB Charge Ports (Type-C) x 2	Two Connectors & Rear USB Charge Ports (Type-C) x 2	Two Connectors & Rear USB Charge Ports (Type-C) x 2	Three Connectors
	220 V AC (100W)	One Connector	One Connector	One Connector	One Connector
Steering	Material	Soft Leather Grain with Red Stitching and GR Emblem (New)	Soft Leather Stitched with Galaxy Black Wood Trim	Leather Stitched with Wood	Leather Stitched with Wood
	Type	Hydraulic Power Steering with Variable Flow Control	Hydraulic Power Steering with Variable Flow Control	Hydraulic Power Steering with Variable Flow Control	Hydraulic Power Steering
	Adjustment System	Tilt & Telescopic	Tilt & Telescopic	Tilt & Telescopic	Tilt & Telescopic
	Fingertip Controls	Audio, Tel, VR, MID Premium	Audio, Tel, VR, MID Premium	Audio, Tel, VR, MID Premium	Audio, Tel, VR, MID Premium
Speedometer		GR Premium Optitron Meter with Red Pointer Illumination (New)	Premium Optitron with Black Dial Hairline Finish	Premium Optitron with Metallic Blue Dials	Premium Optitron with Metallic Blue Dials
Multi Info Display		Large Colour TFT	Large Colour TFT	Large Colour TFT	Large Colour TFT
Economy Meter		0	0	0	0
Infotainment System	Screen	8.95" Capacitive Display	8.95" Capacitive Display	8.95" Capacitive Display	8.95" Capacitive Display
	Inputs	Bluetooth, Screen Mirroring, Voice Recognition, USB, MIC, WIFI Ready, Wired Apple® Carplay & Android Auto® support	Bluetooth, Screen Mirroring, Voice Recognition, USB, MIC, WIFI Ready, Wired Apple® Carplay & Android Auto® support	Bluetooth, Screen Mirroring, Voice Recognition, USB, MIC, WIFI Ready, Wired Apple® Carplay & Android Auto® support	Bluetooth, Screen Mirroring, Voice Recognition, USB, MIC, WIFI Ready, Wired Apple® Carplay & Android Auto® support
	Navigation	No Built-in Navigation (Navigation through Apple® Carplay / Android Auto®)	No Built-in Navigation (Navigation through Apple® Carplay / Android Auto®)	No Built-in Navigation (Navigation through Apple® Carplay / Android Auto®)	No Built-in Navigation (Navigation through Apple® Carplay / Android Auto®)
	Speakers	6 Speakers	6 Speakers	6 Speakers	6 Speakers
	WiFi	0	0	0	0
	Rear Camera	0	0	0	0
Antenna		Shark Fin	Shark Fin	Shark Fin	Shark Fin
SAFETY					
Vehicle Stability Control		With A-TRC + HAC + TSC + DAC + LSD	With A-TRC + HAC + TSC + DAC + LSD	With A-TRC + HAC + TSC + DAC + LSD	With A-TRC + HAC + TSC + DAC + LSD
Drive Start Control		0	0	0	0
Tyre-Turning Angle (Shown in MID)		0	0	0	0
Clearance Sonar		Front x 2 + Rear x 4	Front x 2 + Rear x 4	Front x 2 + Rear x 4	Front x 2 + Rear x 4
Emergency Brake Signal		X	X	0	0
Light Reminder		0	0	0	0
Engine Oil Levelling Warning		0	0	X	X
Shift-Lock System		0	0	0	0
Anti-Theft System		Immobiliser with Horn	Immobiliser with Horn	Immobiliser with Horn	Immobiliser with Horn
Anti-Lock Braking System		0	0	0	0
Door Courtesy		Lamps	Lamps	Lamps	Reflectors
Seatbelts	Front Seats	3-point ELR x 2 + P/T + F/L	3-point ELR x 2 + P/T + F/L	3-point ELR x 2 + P/T + F/L	3-point ELR x 2 + P/T + F/L
	2nd Row Seats	3-point ELR x 3	3-point ELR x 3	3-point ELR x 3	3-point ELR x 3
	3rd Row Seats	3-point ELR x 2	3-point ELR x 2	3-point ELR x 2	3-point ELR x 2
Child-Restraint System	ISOFIX Child Seat Anchors	0	0	0	0
SRS Airbags	Front Airbags	Dual (Driver + Passenger)	Dual (Driver + Passenger)	Dual (Driver + Passenger)	Dual (Driver + Passenger)
	Knee Airbag	Driver	Driver	Driver	Driver
	On/Off Switch	0	0	0	0
	Airbag Indicator	0	0	0	0

0 = Applicable

X = Not Applicable

*Indus Motor Company reserves the right to alter any details of specifications and equipment without notice. Vehicles shown and specifications mentioned herein may vary from models and equipment available.



SMS "FORTUNER"
FOR MORE INFORMATION

VALUE ADDED SERVICES



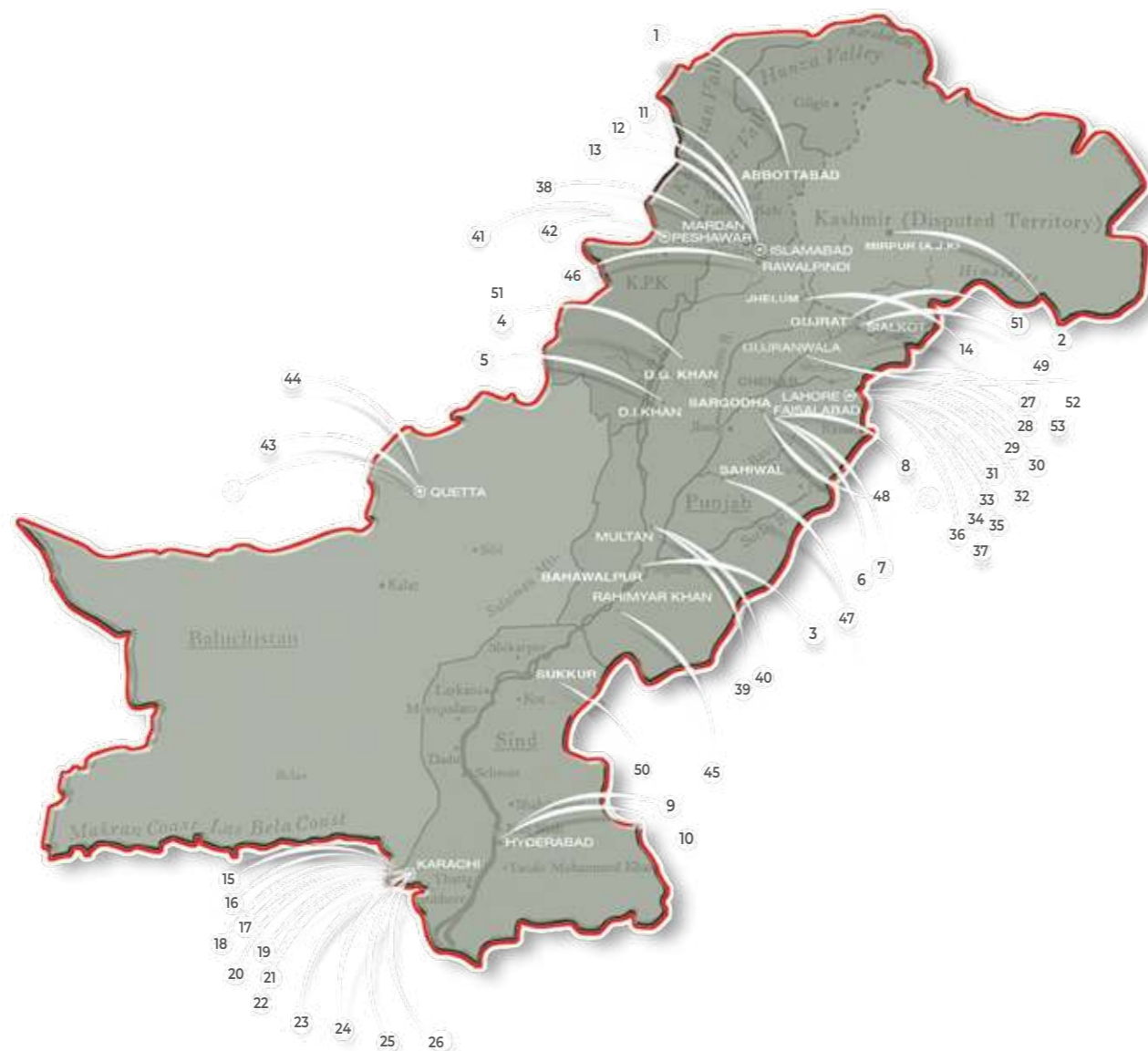
Extend your warranty
to up to 5 years



Lock in your maintenance
contract and stay worry-free



Avail comprehensive
insurance plan for a greater
peace of mind



WE ARE PRESENT THROUGHOUT THE NATION

ABBOTTABAD

1. TOYOTA ABBOTT MOTOR - PHONE: (0992) 380882

AZAD KASHMIR

2. TOYOTA AZAD MOTORS - PHONE: (05827) 432803-5, 434297-99

BAHAWALPUR

3. TOYOTA BAHAWALPUR MOTORS - PHONE: (062) 2889941-42 / 111-111-167

D.G. KHAN

4. TOYOTA D.G. KHAN MOTORS - PHONE: (064) 2845626

D.I. KHAN

5. TOYOTA D.I. KHAN MOTORS - PHONE: (0966) 716891, 716792-3

FAISALABAD

6. TOYOTA FAISALABAD MOTORS - PHONE: (041) 8719902, 8712002, 8712004, 8722002-7 / 111-000-052

7. TOYOTA LYALLPUR MOTORS - PHONE: (041) 8811021-24

8. TOYOTA CHENAB MOTORS - PHONE: (041) 2423790, 2423793

HYDERABAD

9. TOYOTA HYDERABAD MOTORS - PHONE: (022) 3885121-5

10. TOYOTA POINT MOTORS - PHONE: (022) 2661770-3

ISLAMABAD

11. TOYOTA CAPITAL MOTORS - PHONE: (051) 4432027, 4431711 / 111-142-142

12. TOYOTA ISLAMABAD MOTORS - PHONE: (051) 2820533, 2270461-6 / 111-000-037

13. TOYOTA GT MOTORS - PHONE: (051) 2227607, 2227860-4

JHELUM

14. TOYOTA JHELUM MOTORS - PHONE: (0544) 275467-68

KARACHI

15. TOYOTA CENTRAL MOTORS - PHONE: (021) 34311155, 34532246-50, 34536246-49 / 111-786-122

16. TOYOTA SOCIETY MOTORS - PHONE: (021) 34381027, 34383213-4 / 111-786-113

17. TOYOTA EASTERN MOTORS - PHONE: (021) 34614077, 34614177

18. TOYOTA UNIVERSITY MOTORS - PHONE: (021) 34940417, 34941747

19. TOYOTA SOUTHERN MOTORS - PHONE: (021) 35062478, 35053181-6 / 111-876-111

20. TOYOTA DEFENCE MOTORS - PHONE: (021) 35888314, 35386022-7, 32020583 / 111-836-836

21. TOYOTA WESTERN MOTORS - PHONE: (021) 32572420, 32564531-5 / 111-800-786

22. TOYOTA SHAHRAH-E-FAISAL MOTORS - PHONE: (021) 34600518-20

23. TOYOTA HIGHWAY MOTORS - PHONE: (021) 36880702-04 / 111-009-000

24. TOYOTA CREEK MOTORS - PHONE: (021) 35092211-3

25. TOYOTA CLIFTON MOTORS - PHONE: (021) 35302523

26. TOYOTA PORT QASIM MOTORS - PHONE: (021) 38910507-9

LAHORE

27. TOYOTA RAVI MOTORS - PHONE: (042) 35426961-64, 37580705 / 111-700-900

28. TOYOTA SHAHEEN MOTORS - PHONE: (042) 37566296-98 / 111-300-700

29. TOYOTA TOWNSHIP MOTORS - PHONE: (042) 35885014 / 111-393-939

30. TOYOTA SAHARA MOTORS - PHONE: (042) 37576218, 37581253, 37597670 (D) / 111-383-838

31. TOYOTA GARDEN MOTORS - PHONE: (042) 35868256 / 111-595-959

32. TOYOTA WALTON MOTORS - PHONE: (042) 36662981-82 / 111-008-009

33. TOYOTA CANTT MOTORS - PHONE: (042) 36613401-10

34. TOYOTA AIRPORT MOTORS - PHONE: (042) 111-880-990

35. TOYOTA JINNAH MOTORS - PHONE: (042) 111-119-696

36. TOYOTA HN MOTORS - PHONE: (042) 111-000-095

37. TOYOTA GATEWAY MOTORS - PHONE: (042) 111-220-220

MARDAN

38. TOYOTA MARDAN MOTORS - PHONE: (0937) 873005, 873001-4

MULTAN

39. TOYOTA MULTAN MOTORS - PHONE: (061) 6522481, 6522482-83 / 111-111-343

40. TOYOTA CITY MOTORS - PHONE: (061) 4580792, 4541925, 4580793, 4542488 / 111-111-342

PESHAWAR

41. TOYOTA FRONTIER MOTORS - PHONE: (091) 5701002-5, 5841626 / 111-235-236

42. TOYOTA KHYBER MOTORS - PHONE: (091) 2586931-4

QUETTA

43. TOYOTA ZARGHOON MOTORS - PHONE: (081) 2450444

44. TOYOTA QUETTA MOTORS - PHONE: (081) 111-876-876

RAHIMYAR KHAN

45. TOYOTA ROYAL MOTORS - PHONE: (068) 5885090-92

RAWALPINDI

46. TOYOTA RAWAL MOTORS - PHONE: (051) 4917214, 4917200-4

SAHIWAL

47. TOYOTA SAHIWAL MOTORS - PHONE: (040) 4502345-6 / 111-700-900

SARGODHA

48. TOYOTA SARGODHA MOTORS - PHONE: (048) 3221801-02 / 111-222-456

SIALKOT

49. TOYOTA SIALKOT CITY MOTORS - PHONE: (052) 3308131-33 & 37

SUKKUR

50. TOYOTA SUKKUR MOTORS - PHONE: (024) 3558141-43 / (071) 111-785-587

GUJRAT

51. TOYOTA GUJRAT MOTORS - PHONE: (053) 111-111-153

GUJRANWALA

52. TOYOTA FORT MOTORS - PHONE: (055) 111 111 836

53. TOYOTA CANAL MOTORS - PHONE: 0322-6133339

Dealerships marked with T have T-Sure service available.



Toll Free: 0800 11123

